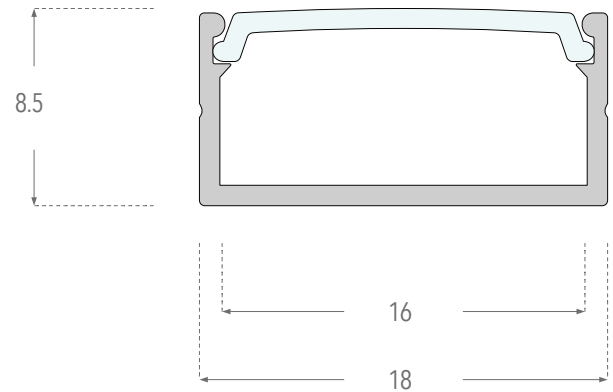


*P18X9MOD.SUR*

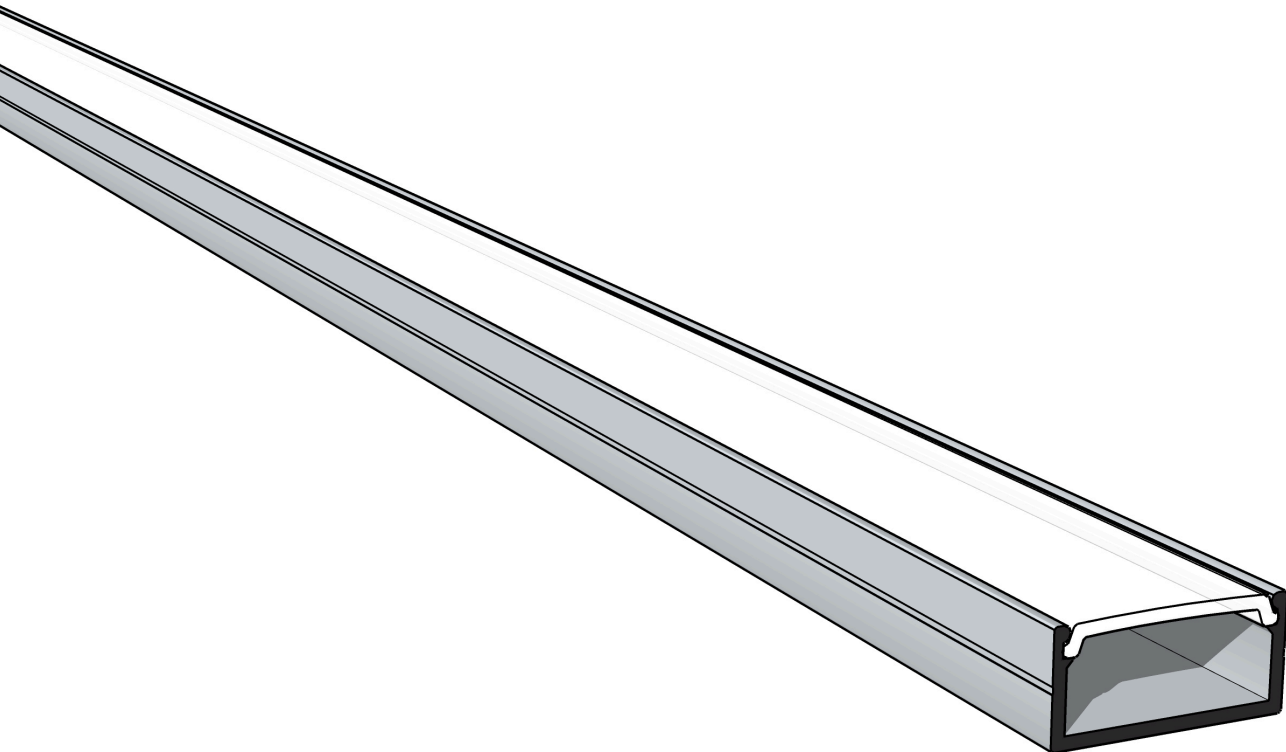
## Shallow Surface

### Features

- 18mm rectangle section, 8.5mm deep
- Mount Options: #Surface #Recess
- Diffuser Options: #Opal #Clear
- Available lengths: 2m
- Aluminium profile with snap-fit diffuser. Designed for mounting LED strip up to 16mm width.
- Channels on the sides of the profile allow you to clip the profile into metal clips.
- Plastic end caps come in pairs. One having a hole for the wires to pass through.



### Technical



Note: Please quote the full product code while placing the order.