

DESCRIPTION

Fusi 46 Wall Duo

The wall-mounted luminaires offer a discreet and functional solution to general or accent architectural lighting. The luminaires provide a high level of visual comfort. A special lens diffuses light and directs it on the wall upwards and downwards with different beam angles. The lens covers the source of light and provides homogeneous and ambient lighting. Our wall lights provide seamless integration with their surroundings, with subtle light in the required space.

They bring basic brightness to the room or accentuate the wall with visible light shapes. Any glare can be reduced by applying optical accessories such as the Honeycomb Louver.



QUICKINFO

GENERAL

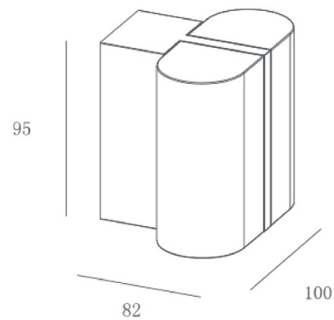
Finish	Black (RAL 9005)
Material	Powder Coated Aluminium
IP	20
Lifespan	L80/50,000h
Warranty	5 years

LED

Optic	Lens
Lumen	510lm
Efficacy	85lm/W
CRI	3000K/4000K 2700K on request
CCT	>95
SDCM	<3
UGR	<13
Beam Angle	15°/24°/36°/50°

ELECTRICAL

Voltage	220-240V
Power	15/20W
Driver (Build-in)	Phase Cut



PURATI PTY LTD

Unit 10, 80 O'Riordan St, Alexandria NSW 2015
Tel: +61 2 8065 8181
sales@purati.com

DESCRIPTION

Fusi 46 Wall Duo

The wall-mounted luminaires offer a discreet and functional solution to general or accent architectural lighting. The luminaires provide a high level of visual comfort. A special lens diffuses light and directs it on the wall upwards and downwards with different beam angles. The lens covers the source of light and provides homogeneous and ambient lighting. Our wall lights provide seamless integration with their surroundings, with subtle light in the required space.

They bring basic brightness to the room or accentuate the wall with visible light shapes. Any glare can be reduced by applying optical accessories such as the Honeycomb Louver.



QUICKINFO

GENERAL

Finish	White (RAL 9016)
Material	Powder Coated Aluminium
IP	20
Lifespan	L80/50,000h
Warranty	5 years

LED

Optic	Lens
Lumen	510lm
Efficacy	85lm/W
CRI	3000K/4000K 2700K on request
CCT	>95
SDCM	<3
UGR	<13
Beam Angle	15°/24°/36°/50°

ELECTRICAL

Voltage	220-240V
Power	15/20W
Driver (Build-in)	Phase Cut

