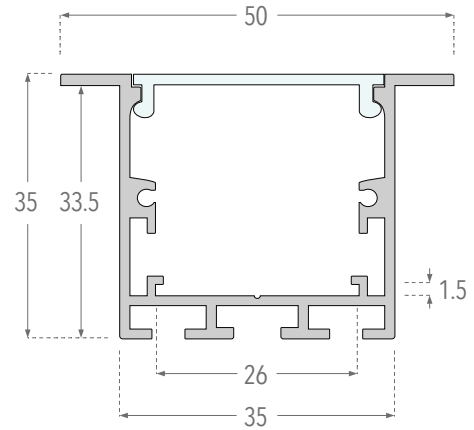


P35SQR.REC

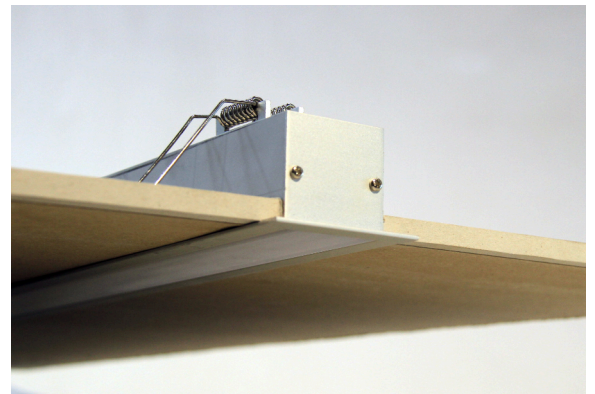
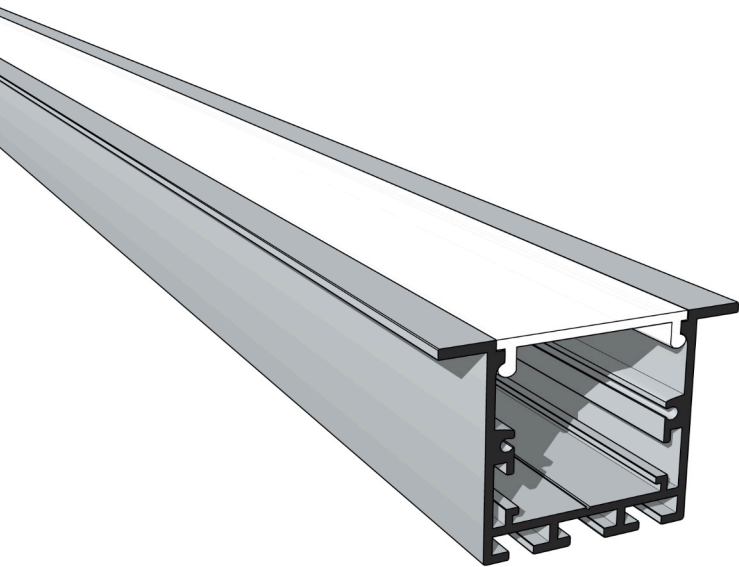
3535 Recess Linear LED System

Features

- 44mm rectangular section, 35mm deep
- Mount Options: #Recess
- Diffuser Options: #Opal #Clear
- Available lengths: up to 4m
- Aluminium profile with snap-fit diffuser. Designed for mounting LED strip up to 31mm width.
- End caps come in pairs. One having a hole for the wires to pass through.



Technical



Note: Please quote the full product code while placing the order.