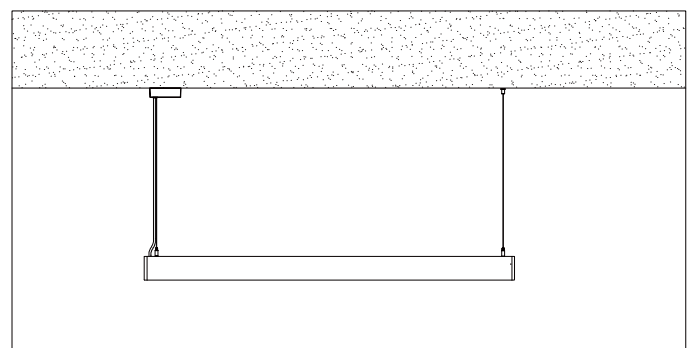
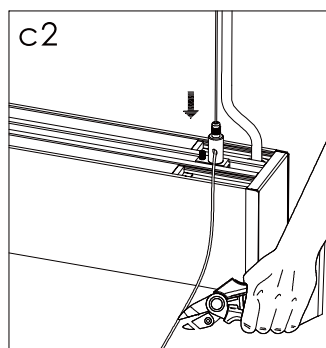
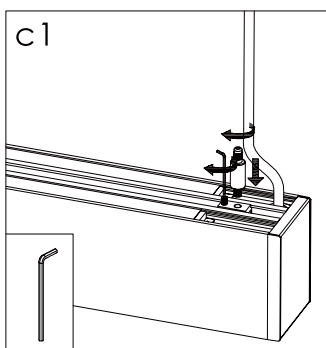
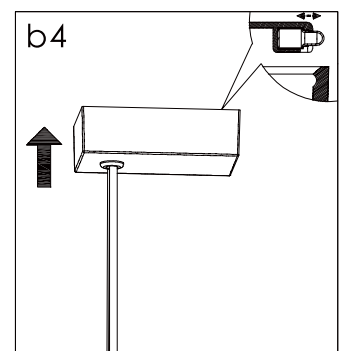
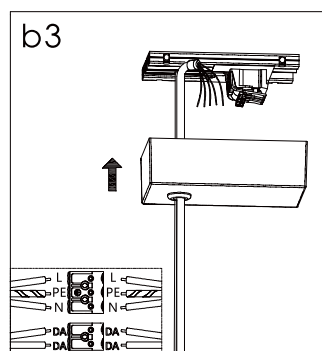
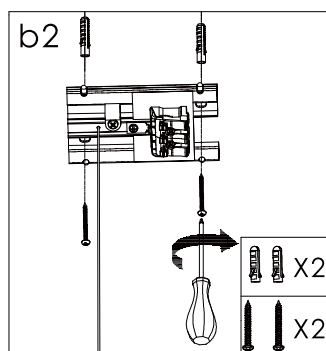
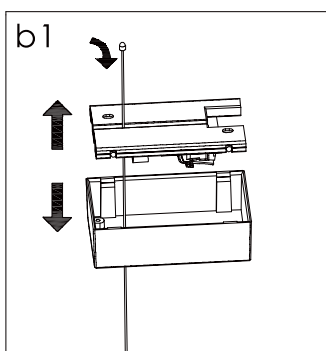
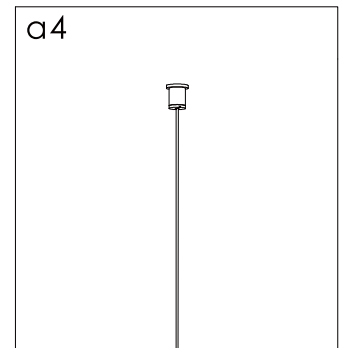
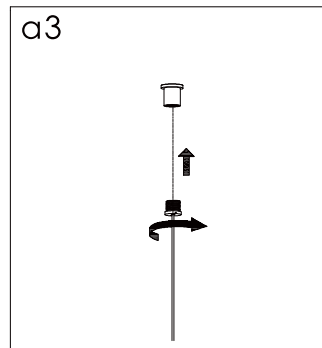
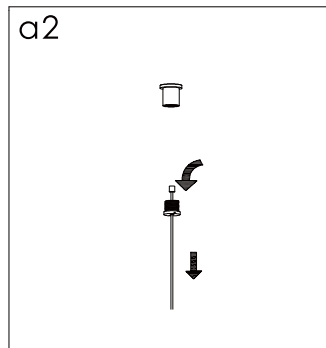
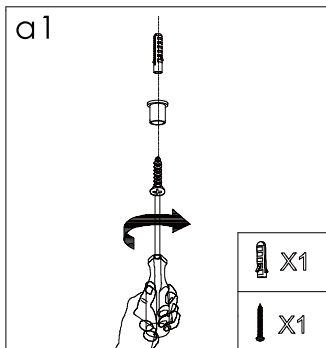
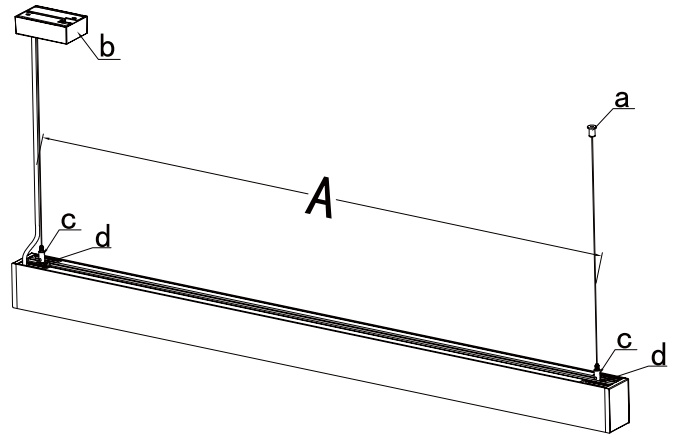


# Installation instruction

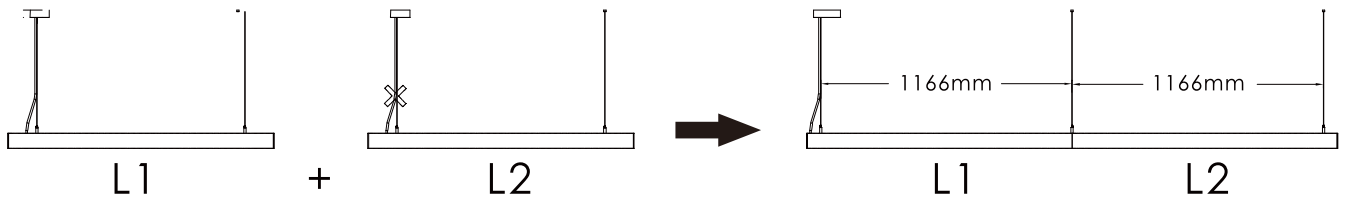
| Length | A      |
|--------|--------|
| 1.2m   | 1132mm |
| 1.5m   | 1432mm |

## d: Positioning screw

Loosen the positioning screw to adjust the distance of the A, and tighten the position screw after adjusting.



# Installation instruction



Friendly reminder: one AC input cable support 12pcs lamp link together

