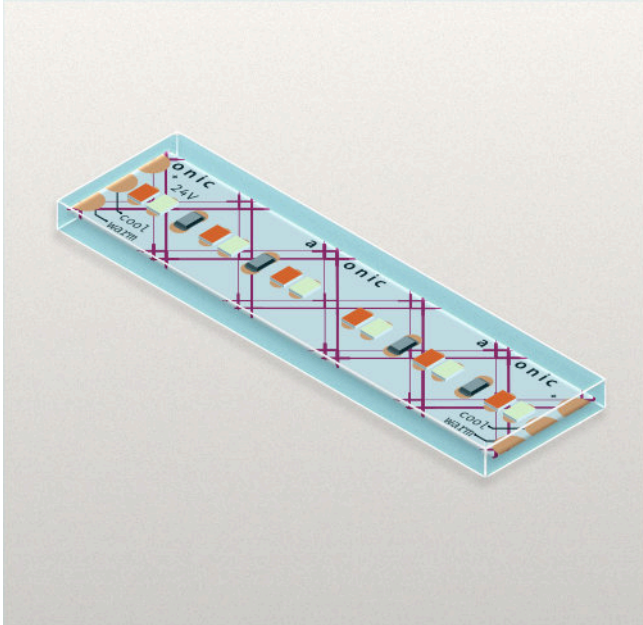


f14.14w240x.18k40k

24V LED Flex Strip ::::: 14mm · 14W/m · 95CRI · CCT adjustable



Features

- 240 white and white LED/m on a flexible 14mm circuit board
- Colour Temperature Mixed: #1800K + #4000K
- High colour rendering — 95 CRI
- 14 Watts/metre
- 24Volts DC
- 3 years warranty

Applications

- For outdoor and rugged use. Water-resistant, two-layers filled silicone extrusion. 20 cuttable 5cm segments per metre.
- Features 14mm width strip which achieves a deep-range of warm light tones.
- Suitable for general lighting indoor and outdoor, mood lighting, trees and gardens, patio, workshops.

Physical

Dimension	
Strip width	14 mm
Cuttable length (min.)	50 mm
Printed circuit width	12 mm
Roll length	10 m
Material	
Strip base	Flexible printed circuit board
Back	Peel-off adhesive
Ingress rating	IP68

Electrical

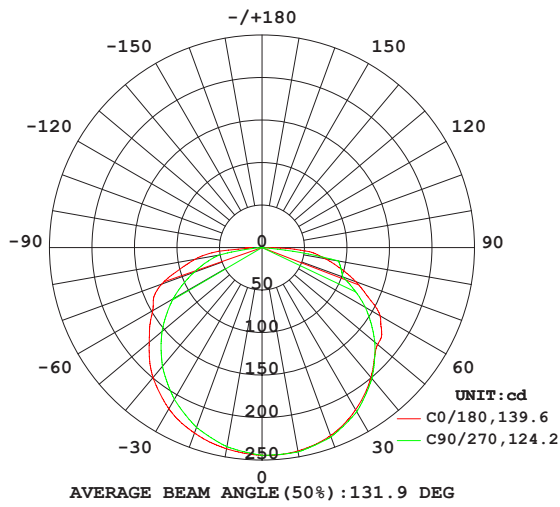
Connection	
Solder pads	3: [+] [-] [-]
Component	
Light source(s)	2216 White SMT LED
Source density	240 LED/m
Performance	
Voltage	24 V
Current	~583 mA
Power (per metre)	14 W/m

Photometric

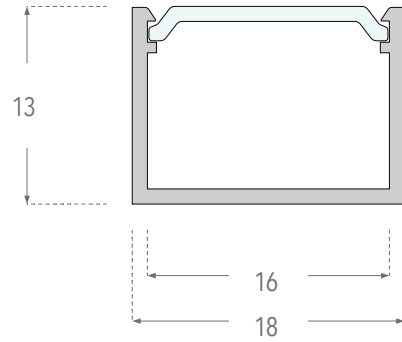
Output	
Lumens	870 Lm/m
Beam angle	120 °
Colour	
Rendering	95+ CRI
Matching	<3 SDCM
Options	
Warm White + Cool White	1800K + 4000K



Polar diagram

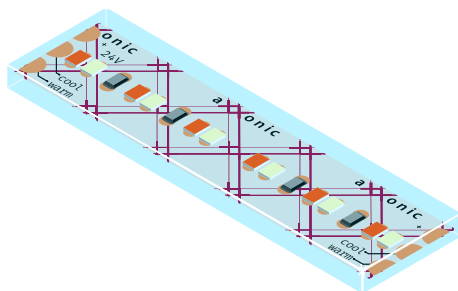


Recommended profiles



p18x13mod.sur

Models



f14.14w240x.18k40k

Attention:

1. Application surface must be smooth, clean and dry.
2. Sensitive electronics on-board. Handle with care.
3. Strip can be cut and joined at solder pads.

Note: Please quote the full product code while placing the order, along with the required colour temperature option where specified.